



PRODUCTS

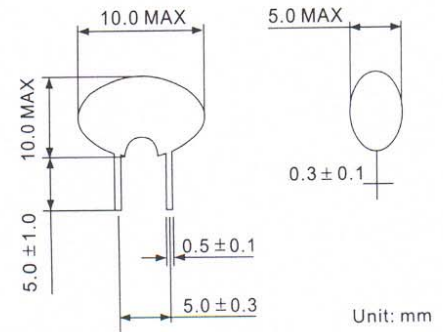
Ceramic Resonator (Through Hole)

CRJ Series

Part No:	Example:
CRJ - freq	CRJ - 2.00

CRJ Series	Specification
Frequency	2.0MHz-12.0MHz
Frequency Tolerance	± 0.5% Typ.
Internal Capacitance	30pF
Frequency Stability over Temp.	± 0.3%
Operating Temp. Range	-20°C to 80°C
Frequency Aging (10 years)	0.3% Max

CRJ Series

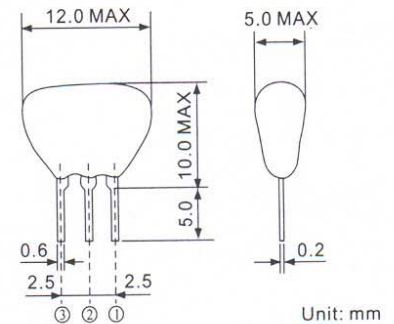


CRB Series (Built-In Capacitor)

Part No:	Example:
CRB - freq	CRB - 2.00

CRJ Series	Specification
Frequency	2.0MHz-12.0MHz
Frequency Tolerance	± 0.5% Typ.
Internal Capacitance	30pF
Frequency Stability over Temp.	± 0.3%
Operating Temp. Range	-20°C to 80°C
Frequency Aging (10 years)	± 0.3% Max

CRB Series



CRK Series

Part No:	Example:
CRK - freq (KHz)	CRK - 190

CRK Series	Specification						
Frequency Range	190-249KHz	250-374KHz	375-429KHz	430-509KHz	510-649KHz	650-767KHz	768-1250KHz
Series	CRK						
Dimensions	Figure 1	Figure 2	Figure 3	Figure 4	Figure 5	Figure 6	Figure 7
External Capacitance C1	330pF	220pF	120pF	100pF	100pF	100pF	100pF
C2	470pF	470pF	470pF	100pF	100pF	100pF	100pF
Frequency Tolerance at 25°C	± 0.5%	± 0.5%	± 0.3%	± 0.3%	± 0.3%		
Frequency Stability over Temperature Range	± 1KHz	± 1KHz	± 2KHz	± 2KHz	± 2KHz	± 2KHz	± 5KHz
Operating Temperature Range	-20°C to +80°C						
Frequency Aging (10 Years)	± 0.5%	± 0.5%	± 0.5%	± 0.5%	± 0.5%	± 0.5%	± 0.5%

CRK Series IT-CRK-001

