

For Mobile Communication

SURFACE MOUNT TYPE CRYSTAL UNITS / NX6035SA

This is highly precise small-sized surface-mounted crystal unit optimum for applications in mobile communications.

■ Features

- Compact and thin (6.0 × 3.5 × 1.0 mm typ.).
- Standard Nominal Frequency for PLL-system are lined up.
- Excellent electrical characteristics and environmental performance for applications in mobile communications.
- Products are lead-free. These can meet the requirements of re-flow profiling using lead-free solder.
- RoHS compliant.



RoHS Compliant
Directive 2002/95/EC

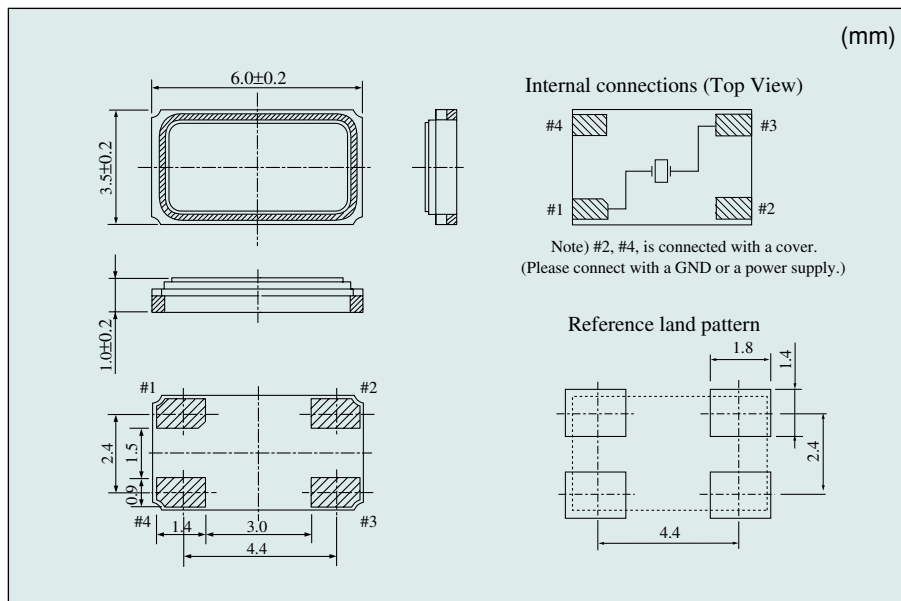
■ Specification

Item	Type	NX6035SA	
Frequency Range		10.368 ~ 39 MHz	
Overtone		Fundamental	
Frequency Tolerance (25±3°C)		± 10 × 10 ⁻⁶	
Temperature Characteristics (in reference to +25°C)		± 10 × 10 ⁻⁶	± 15 × 10 ⁻⁶
Operating Temperature Range		-20 ~ +75°C	-30 ~ +85°C
Equivalent Series Resistance		10.368 ~ 10.5 MHz : 60 Ω max, 10.5 ~ 12 MHz : 50 Ω max, 12 ~ 39 MHz : 40 Ω max	
Drive Level		10 μW (100 μW max)	
Standard Load Capacitance		12pF	
Operable Temperature Range		-40 ~ +85°C	

Typical Frequency (MHz)

	10.368	12.6	12.8	13.0	13.56	13.824	14.4
Fundamental	14.85	15.0	15.36	16.0	16.368	18.432	19.2
	19.44	19.68	19.8	20.0	21.25	26.0	

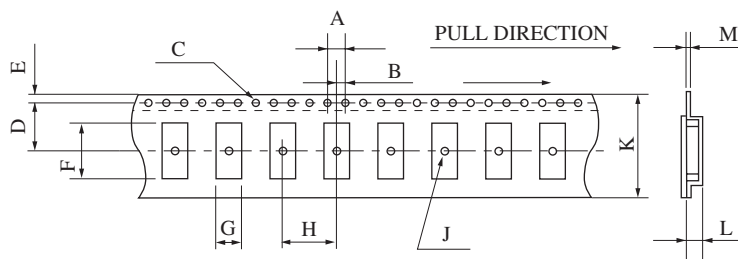
■ Dimensions



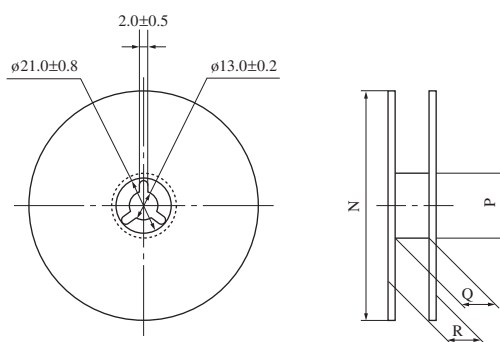
TAPING DIMENSIONS

Below taping package is standard for surface mount type crystal units.

■ Tape



■ Reel



	NX1255GB/GC	NX8045GB/GD	NX6035SA	NX5032GA/GB/GC	NX5032SD	NX4025DA	NX3225SA/GA	NX2520SA	NX2016AA
A	4.0 ± 0.1	4.0 ± 0.1	4.0 ± 0.1	4.0 ± 0.1	4.0 ± 0.1	4.0 ± 0.1	4.0 ± 0.1	4.0 ± 0.1	4.0 ± 0.1
B	2.0 ± 0.1	2.0 ± 0.1	2.0 ± 0.1	2.0 ± 0.1	2.0 ± 0.1	2.0 ± 0.1	2.0 ± 0.1	2.0 ± 0.1	2.0 ± 0.1
C	ø 1.5 ^{+0.1} _{-0.1}	ø 1.5 ^{+0.1} _{-0.1}	ø 1.5 ^{+0.1} _{-0.1}	ø 1.5 ^{+0.1} _{-0.1}	ø 1.5 ^{+0.1} _{-0.1}	ø 1.5 ^{+0.1} _{-0.1}	ø 1.5 ^{+0.1} _{-0.1}	ø 1.5 ^{+0.1} _{-0.1}	ø 1.55 ± 0.05
D	11.5 ± 0.1	7.5 ± 0.1	7.5 ± 0.1	5.5 ± 0.1	5.5 ± 0.1	5.5 ± 0.1	3.5 ± 0.05	3.5 ± 0.05	3.5 ± 0.05
E	1.75 ± 0.1	1.75 ± 0.1	1.75 ± 0.1	1.75 ± 0.1	1.75 ± 0.1	1.75 ± 0.1	1.75 ± 0.1	1.75 ± 0.1	1.75 ± 0.1
F	12.2 ^{+0.3} _{-0.1}	8.4 ± 0.1	6.55 ± 0.1	5.4 ± 0.1	5.4 ± 0.1	4.4 ± 0.1	3.5 ± 0.1	2.8 ± 0.1	2.25 ± 0.1
G	5.9 ^{+0.3} _{-0.1}	4.8 ± 0.1	4.05 ± 0.1	3.5 ± 0.1	3.5 ± 0.1	2.9 ± 0.1	2.8 ± 0.1	2.3 ± 0.1	1.85 ± 0.1
H	12.0 ± 0.1	8.0 ± 0.1	8.0 ± 0.1	8.0 ± 0.1	8.0 ± 0.1	4.0 ± 0.1	4.0 ± 0.1	4.0 ± 0.1	4.0 ± 0.1
J	ø 2.1 ± 0.1	ø 1.5 ± 0.1	ø 1.6 ± 0.1	ø 1.5 ^{+0.1} _{-0.1}	ø 1.6 ± 0.1	ø 1.5 ± 0.1	ø 1.15 ± 0.1	ø 1.05 ± 0.05	ø 1.05 ± 0.05
K	24.0 ± 0.2	16.0 ± 0.2	16.0 ± 0.3	12.0 ± 0.2	12.0 ± 0.2	12.0 ± 0.2	8.0 ± 0.2	8.0 ± 0.2	8.0 ± 0.2
L	3.0 ± 0.1 (* 2.4 ± 0.1)	2.0 ± 0.1	1.5 ± 0.1	1.4 ± 0.1	1.0 ± 0.1	0.8 ± 0.1	1.0 ± 0.1	0.75 ± 0.1	0.65 ± 0.1
M	0.3 ± 0.05	0.3 ± 0.05	0.3 ± 0.05	0.3 ± 0.05	0.25 ± 0.05	0.3 ± 0.05	0.25 ± 0.05	0.25 ± 0.05	0.25 ± 0.05
N	ø 330 ± 2	ø 330 ± 2	ø 330 ± 2	ø 180 ⁺⁰ ₋₃	ø 330 ± 2	ø 180 ⁺⁰ ₋₃	ø 180 ⁺⁰ ₋₃	ø 180 ⁺⁰ _{-1.5}	ø 180 ⁺⁰ _{-1.5}
P	ø 80 ± 1	ø 100 ± 1	ø 80 ± 1	ø 60 ⁺¹ ₋₀	ø 100 ± 1	ø 60 ⁺¹ ₋₀	ø 60 ⁺¹ ₋₀	ø 60 ⁺¹ ₋₀	ø 60 ⁺¹ ₋₀
Q	25.5 ± 0.5	17.5 ± 0.5	17.5 ± 0.5	13.0 ± 0.3	13.5 ± 0.5	13.0 ^{+0.3} ₋₀	9.0 ^{+0.3} ₋₀	9.0 ^{+0.3} ₋₀	9.0 ^{+0.3} ₋₀
R	30.5 max	22.5 max	22.5 max	16.5 max	18.5 max	16.4 max	12.4 max	12.4 max	12.4 max
Quantity	1000	1000	2000	1000	5000	3000	3000	3000	3000

* NX1255GC