



NIHON DEMPA KOGYO CO., LTD

OCXO SPECIFICATIONS



Date , 21/05/2010

**THIS SPECIFICATION SHEET IS PROVIDED TO:**

For specifying specifications of following product:

**(NDK Part Number)**

OCXO 20MHZ NEW 3.3V

**(Your Part Number)**

Prepared By:

Checked By:

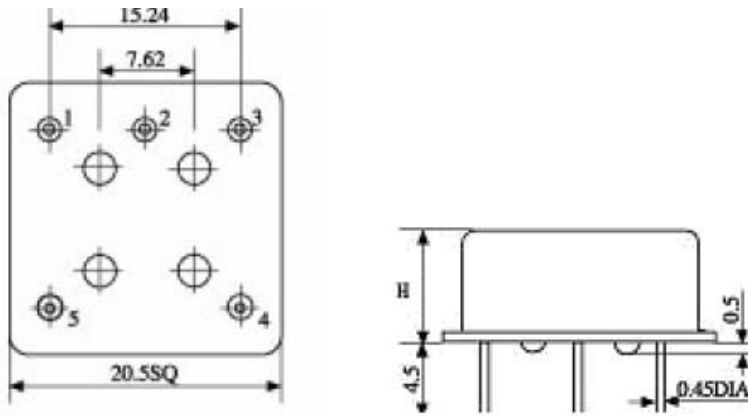
CONFIRMED BY:

For future reference, we thank you to confirm the specifications and send one copy back to us.



## OCXO SPECIFICATIONS

Type	OCXO 20X20
Frequency	20.000 MHz
Holder	PTH 20X20X11
Reference temperature	+25°C
Frequency tolerance at shipment	<±500ppb with Vcontrol=+1.65 within 3minutes from power on
Frequency stability	<±200ppb in -10°C/+70°C
Aging/day (after 30 days)	<±5ppb
Aging/year (after 30 days)	<±500ppb
Stability vs Vcc (5% change)	<±50ppb
Output	HCMOS
Duty cycle	40/60%
Load	15pF
VOH	+2.8V min
VOL	+0.4V max
Tr, Tf	< 7 ns
Phase noise	-80dBc/Hz @ 1Hz -90dBc/Hz @ 10Hz -115dBc/Hz @ 100Hz -135dBc/Hz @ 1KHz -145dBc/Hz @ 10KHz
Electrical frequency adjustment	>±5ppm with Vcontrol 0V...+3.3V
Linearity	10%
Vcc	+3.3V ±5%
Power consumption during warm up	3W max
Power consumption at steady state at +25°C	1.5W max



PIN	FUNCTION
1	Power Supply
2	Output
3	GND
4	Control Voltage
5	Reference Voltage/NC

### Marking

20.000  
 <week<.<year>